

S **SHRIDHAN**[®]
Automate your Field



**ROTARY PADDLE
LEVEL SWITCHES**

Index

1. ROTARY PADDLE LEVEL SWITCHES

- 1.1 General specifications ...01
- 1.2 Variable Length Rotary Paddle Level Switch ...02



1. ROTARY PADDLE LEVEL SWITCHES

The paddle switch operating principle is simple, a unit is usually located through the bin wall at the top, middle or low level of a bin. During normal operation (no material present) a synchronous motor rotates the paddle at 1 RPM. When this paddle rotation is impeded by the material surrounding the paddle, the motor will stall and cause the micro switch to change state and indicate an alarm or control condition.

FEATURES:

- Airtight sealing device , outdoor application is available.
- Unique sealing ring design prevents dust ingress to housing along the shaft.
- The torque force is adjustable.
- The performance of torsion is stable and reliable.
- If the rotary paddle bears an extra overload, the motor will be appeared slide to prevent the inside mechanism being damaged.
- It is rationally designed, the inside mechanisms can be easily torn down for maintenance and replacement while still on the silo.

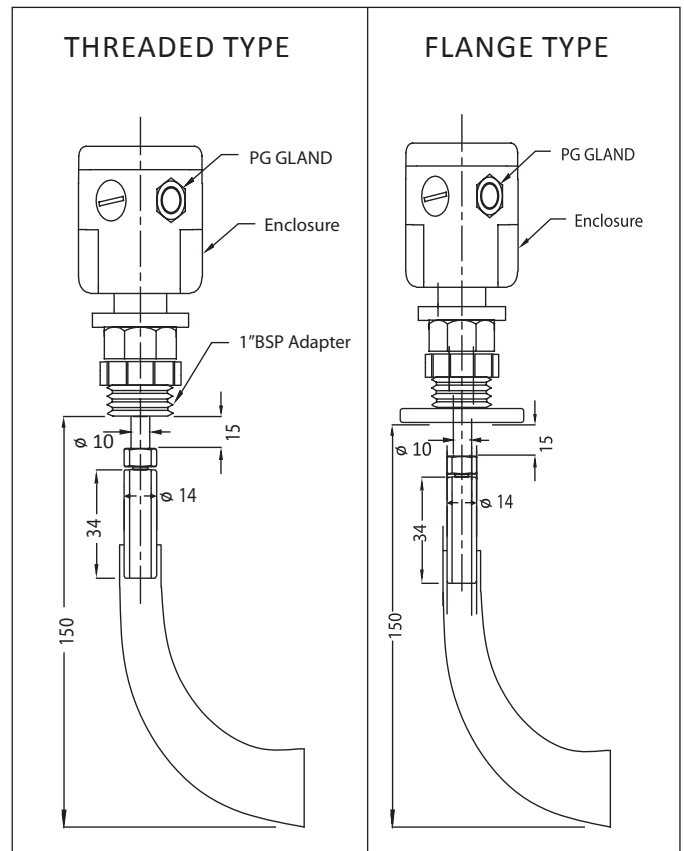


1.1 SPECIFICATIONS:

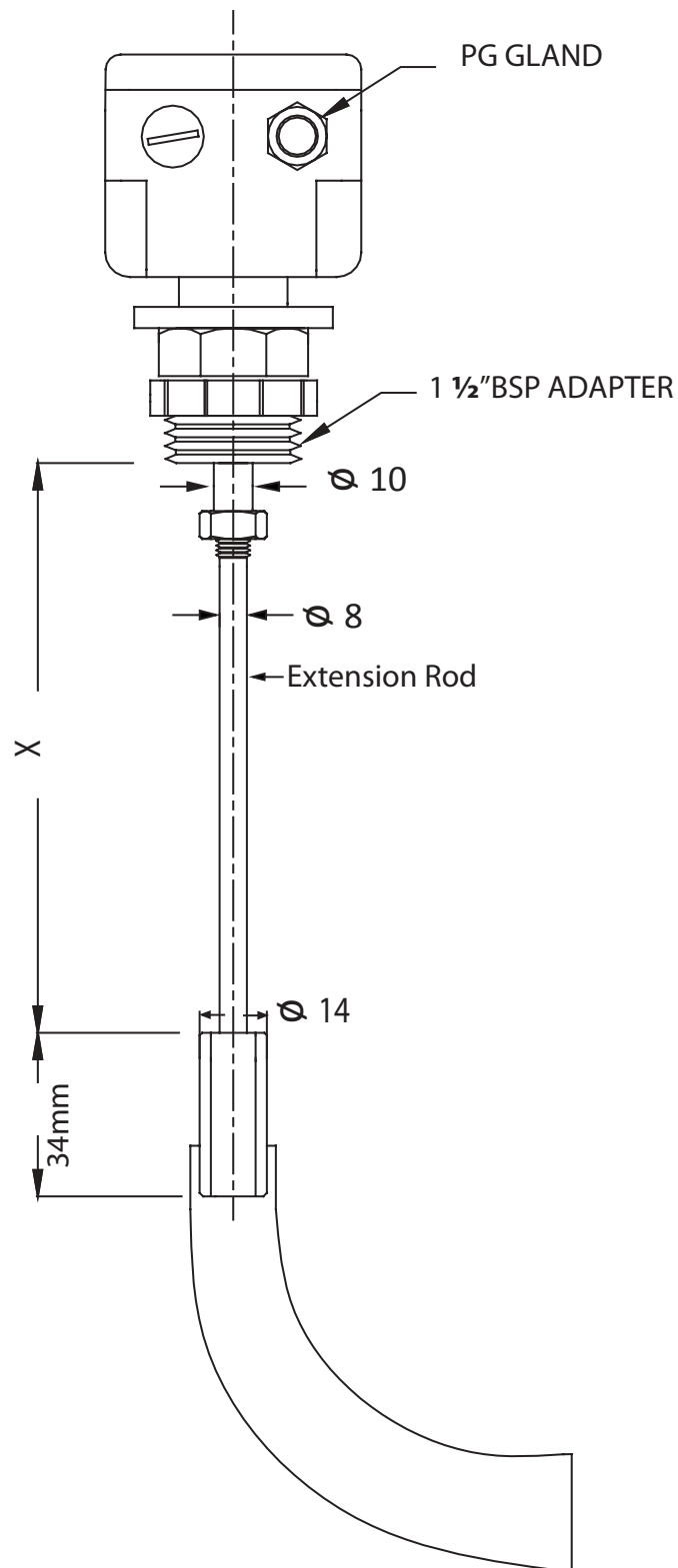
Power source	: (A)110V AC 50/60 Hz (B)220V AC 50/60 Hz
Contact capacity	: SPDT 5A/ 250V AC
Power consumption	: 4W(max.)
Ambient Temp	: -20°C + 60°C
Operating Temp	: -20°C + 70°C
Operating Pressure	: 2 kg/cm ²
Rotary speed	: 1 RPM
Torque	: 1.1 ~ 1.6kg-cm ² +0.2
Connection	: Threaded : 1" BSP/ NPT Flange : 2 1/2" BS 10 - E

APPLICATION:

Powders, Plastic, Chemical, Forage, Cement and Fertilizer powders.



1.2 VARIABLE LENGTH ROTARY PADDLE LEVEL SWITCH



Note : Maximum Length provided is 1m.



INDIA

HEAD OFFICE AND FACTORY

SHRIDHAN Automation Pvt. Ltd.

#B-54, KSSIDC Industrial Estate, Kumbalgodu , Mysore Road
Bangalore - 560074

INDIA

Phone: +91-80-28437847/+91-80-28437848

UNIT-2

SHRIDHAN Automation Pvt. Ltd.

D13, KIADB Industrial Area, Kumbalgodu, Mysore Road
Bangalore - 560074

INDIA

Email: info@shridhan.com

Website : www.shridhan.com

MIDDLE EAST

Orbit Automation FZE

#R4-40 A, PO Box - 122828

SAIF Zone, Sharjah

INDIA

(A 100% SUBSIDIARY OF SHRIDHAN Automation, INDIA)

Contact :+97155 - 9347963 / +97155 - 1883375

Email: me@shridhan.com

Indian Marketing Network

Mangalore | New Delhi | Ahmedabad | Pune | Mumbai | Chennai

International Marketing Network

Middle East | Singapore | Malaysia | Thailand | Netherlands | USA