

**\$ SHRIDHAN**<sup>®</sup>  
Automate your Field



**FLOAT VALVES**

## Index

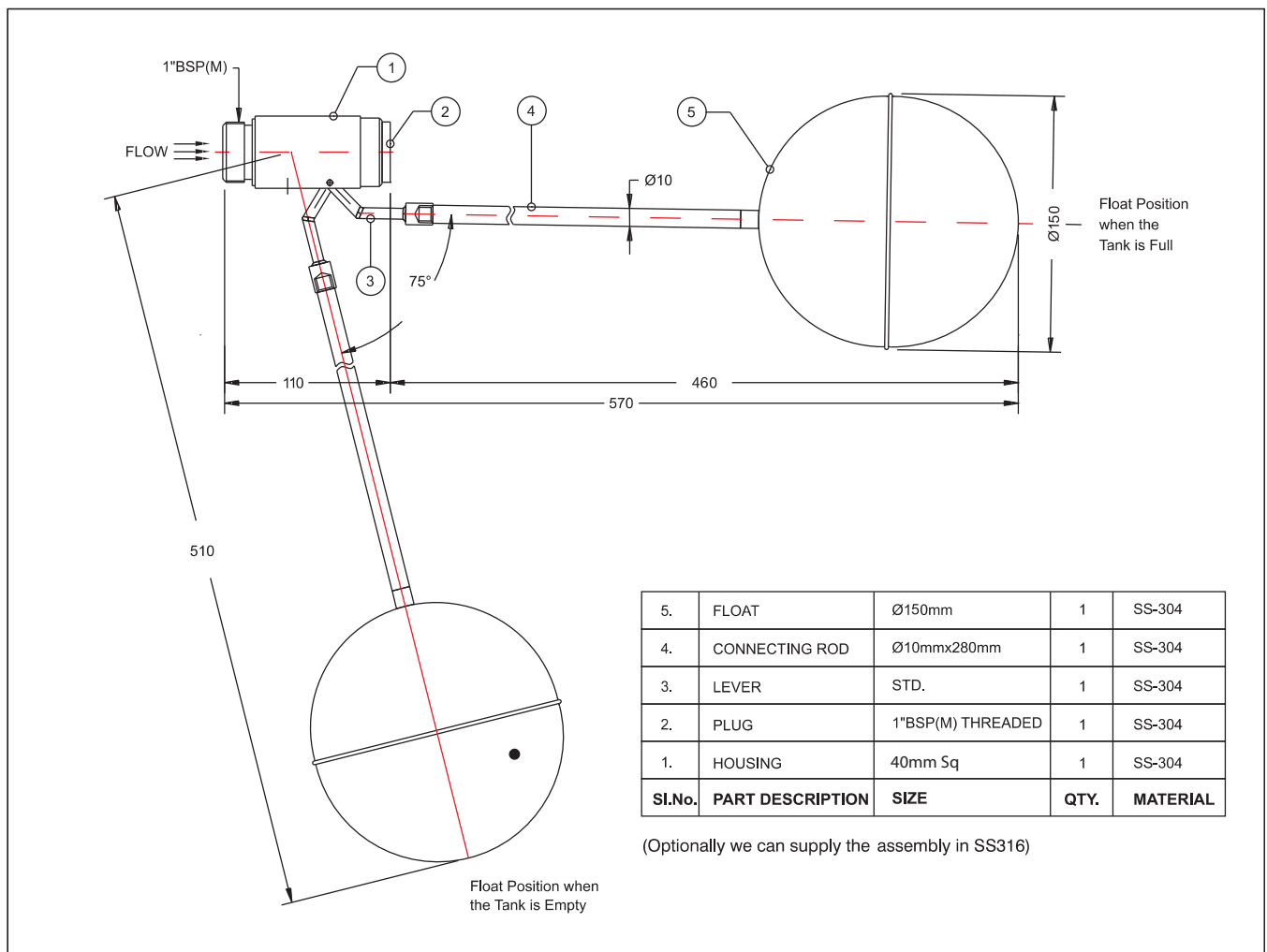
### 1. FLV SERIES - FLOAT VALVES

1.1	Technical Data	...02
1.2	Typical Installation	...02
1.3	Ordering information	...02
1.4	Drawings & Specification	...03



# 1. FLOAT VALVES – FLV

Shridhan float valve is a mechanical contrivance fitted on the inlet line to stop the flow of liquid into the tank. If the liquid level falls in the tank the valve proportionally opens, and lets the liquid in. The inlet pipe is closed once the liquid level in the tank reaches the desired level. The flow in to the tank is throttled gradually as the tank fills thereby preventing overflow.



## CHARACTERISTICS

- Proportional behaviour (The flow is inversely proportional to fluid level in the tank.)
- Easy to install & maintain
- Compact Design

### 1.1 TECHNICAL DATA

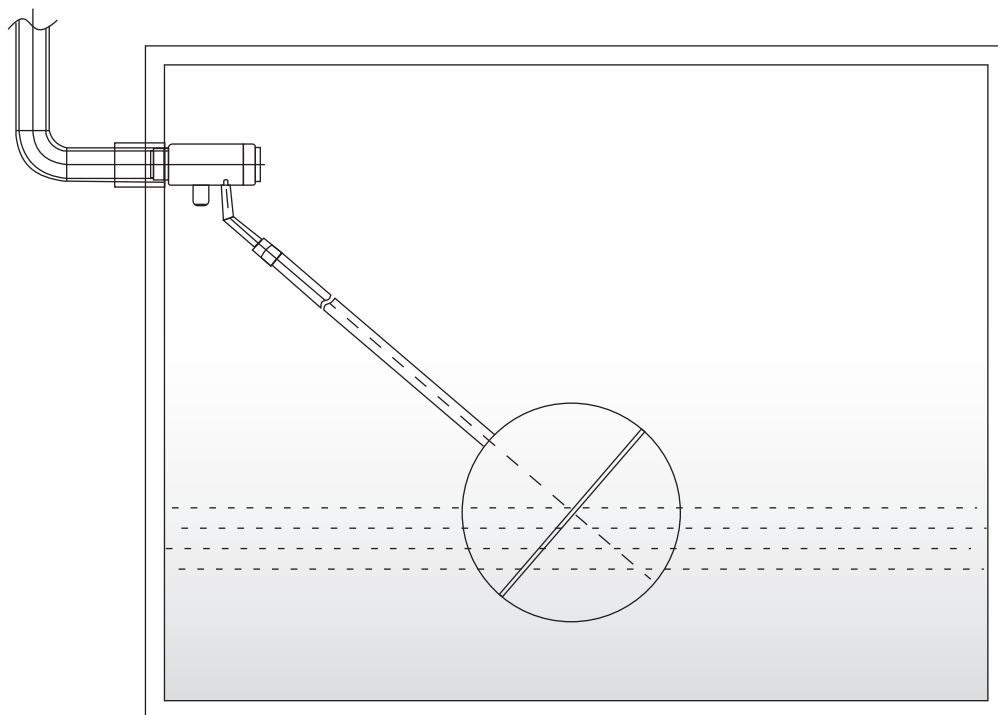
Type	: Float Valve
Construction	: 2 way
Fitting Position	: Float Lever Downwards
Media	: Potable water, Diesel, Kerosene.
Operating Temp.	: 40°C Max.
Operating Pressure	: Upto 4 Kg/cm <sup>2</sup> Max.
Connection sizes available	: ½" BSP (M) ¾" BSP (M) 1" BSP (M) 1 ¼" BSP 1 ½" BSP 2" BSP

### 1.3 ORDERING INFORMATION

Your specific enquiry should include information on your required application with following data. This will help us to attend to your enquiry immediately & promptly.

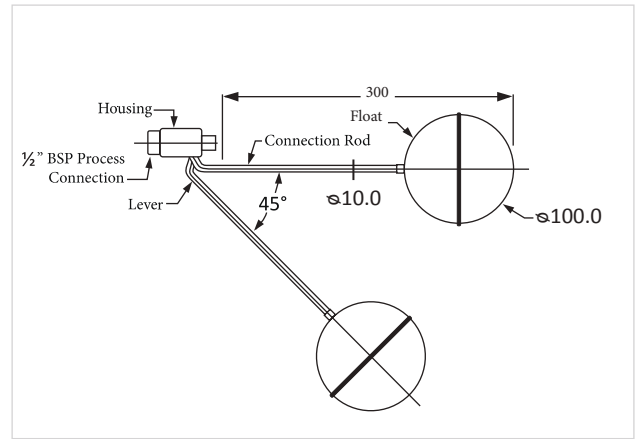
- Material of Construction
- Operating pressure and flow
- Size of storage tank
- Mounting thread detail.

### 1.2 TYPICAL INSTALLATION INSIDE THE TANKS

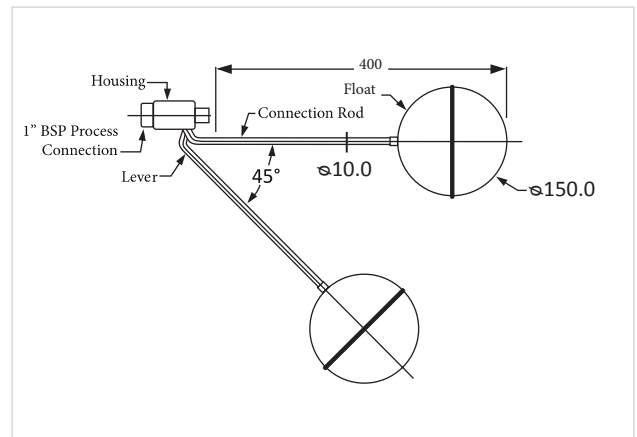


**SPECIFICATION**

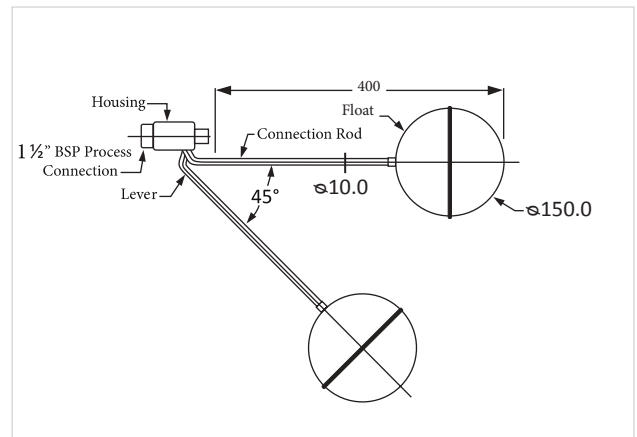
Material Type	304/316/316L
Construction	2 Way
Fitting Position	Float Lever Downwards
Media	Potable Water , Diesel , Kerosene.
Connection Size	½" BSP Thread
Float Size	∅ 100mm
Design Pressure	4 Kg/cm <sup>2</sup>
Design Temperature	40°C Max.
Mounting Position	Horizontal

**SPECIFICATION**

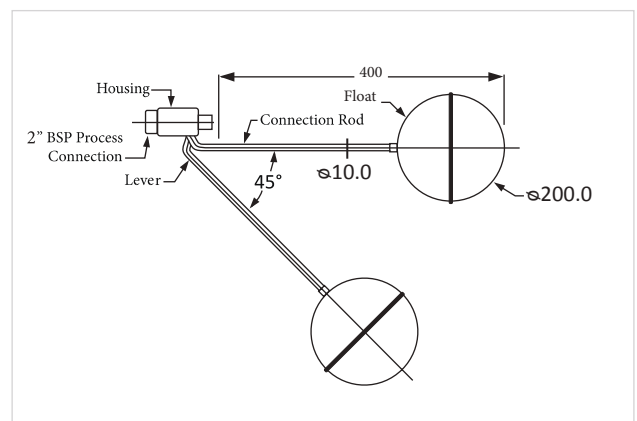
Material Type	304/316/316L
Construction	2 Way
Fitting Position	Float Lever Downwards
Media	Potable Water , Diesel , Kerosene.
Connection Size	1" BSP
Float Size	∅150 mm
Design Pressure	Upto 4 Kg/cm <sup>2</sup>
Design Temperature	40°C Max.
Mounting Position	Horizontal

**SPECIFICATION**

Material Type	304/316/316L
Construction	2 Way
Fitting Position	Float Lever Downwards
Media	Potable Water , Diesel , Kerosene.
Connection Size	1½" BSP
Float Size	∅150 mm
Design Pressure	Upto 4 Kg/cm <sup>2</sup>
Design Temperature	40°C Max.
Mounting Position	Horizontal

**SPECIFICATION**

Material Type	304/316/316L
Construction	2 Way
Fitting Position	Float Lever Downwards
Media	Potable Water , Diesel , Kerosene.
Connection Size	2" BSP
Float Size	∅200 mm
Design Pressure	Upto 4 Kg/cm <sup>2</sup>
Design Temperature	40°C Max.
Mounting Position	Horizontal







INDIA

HEAD OFFICE AND FACTORY

**SHRIDHAN Automation Pvt. Ltd.**

#B-54, KSSIDC Industrial Estate, Kumbalgodu , Mysore Road  
Bangalore - 560074

INDIA

Phone: +91-80-28437847/+91-80-28437848

UNIT-2

**SHRIDHAN Automation Pvt. Ltd.**

D13, KIADB Industrial Area, Kumbalgodu, Mysore Road  
Bangalore - 560074

INDIA

Email: [info@shridhan.com](mailto:info@shridhan.com)

Website : [www.shridhan.com](http://www.shridhan.com)

MIDDLE EAST

**Orbit Automation FZE**

#R4-40 A, PO Box - 122828

SAIF Zone, Sharjah

INDIA

( A 100% SUBSIDIARY OF SHRIDHAN Automation, INDIA)

Contact :+97155 - 9347963 / +97155 - 1883375

Email: [me@shridhan.com](mailto:me@shridhan.com)

**Indian Marketing Network**

Mangalore | New Delhi | Ahmedabad | Pune | Mumbai | Chennai

**International Marketing Network**

Middle East | Singapore | Malaysia | Thailand | Netherlands | USA