

S **SHRIDHAN**[®]
Automate your Field



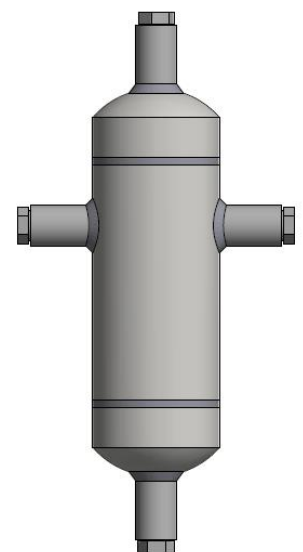
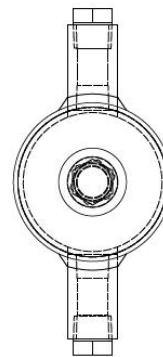
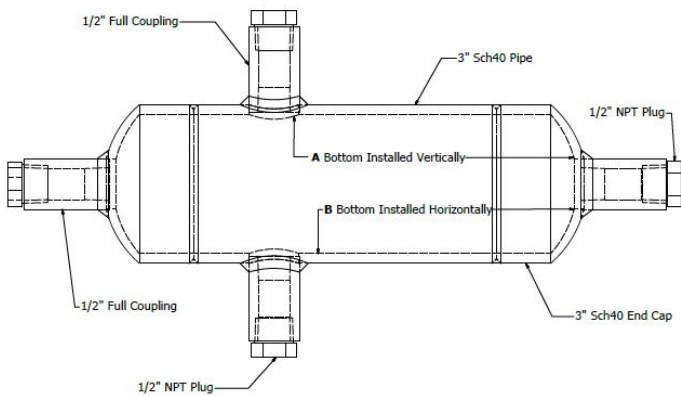
CONDENSATE POT

CONDENSATE POT

Condensate pots are designed to catch hold the condensate & foreign materials, thus preventing damage of the metering system and/or manifold. The condensate may be drained from the bottom valve connection. These are custom manufactured to suit client & project applications.

Condensate chambers are used as a barrier between the main line and the secondary instruments in the measurement of steam or other vapors which condense to a liquid state insuring compatibility with the secondary instruments. They can also be used to cool down very high temperature liquids. Seal pots are installed where the line fluid is corrosive or viscous to the extent where it cannot be permitted to contact the secondary instrument (Transmitter or gauge) thereby acting as a liquid barrier between the line fluid and the condensate. Installation can be either vertical or horizontal lines between the primary (Flow Meter) or the secondary (transmitter/ gauge) to act as a barrier to the line fluid permitting direct sensing of the flow conditions. Units should be mounted at the same level minimizing possible error that could arise due to unequal head of fluid in the connecting pressure lines.

Typical industry applications are Refineries, Power plants, Chemical & Petrochemical, Steel plants and other Process industries.



TECHNICAL SPECIFICATIONS

MOC	: Carbon Steel, SS316L, Hastelloy, Monel, Inconel
Design temperature	: 350°C
Hydro Shell Pressure	: Upto 200 bar
Pipe Size	: 2", 3", 4" & 8" sizes
Pipe Length	: 300mm - 4000mm
Pipe Schedule	: 40, 80, 160, XX Seamless pipe
Mounting Position	: Vertical, Horizontal

Quality Tests

1. Hydrostatic pressure test
2. Dye penetration test
3. Radiography Level 1/ Level 2
4. Ultrasonic Examination
5. Magnetic particle test
6. NACE MR 0175 / ISO 15156 Compliance



INDIA

HEAD OFFICE AND FACTORY

SHRIDHAN Automation Pvt. Ltd.

#B-54, KSSIDC Industrial Estate, Kumbalgodu , Mysore Road
Bangalore - 560074

INDIA

Phone: +91-80-28437847/+91-80-28437848

UNIT-2

SHRIDHAN Automation Pvt. Ltd.

D13, KIADB Industrial Area, Kumbalgodu, Mysore Road
Bangalore - 560074

INDIA

Email: info@shridhan.com

Website : www.shridhan.com

MIDDLE EAST

Orbit Automation FZE

#R4-40 A, PO Box - 122828

SAIF Zone, Sharjah

INDIA

(A 100% SUBSIDIARY OF SHRIDHAN Automation, INDIA)

Contact :+97155 - 9347963 / +97155 - 1883375

Email: me@shridhan.com

Indian Marketing Network

Mangalore | New Delhi | Ahmedabad | Pune | Mumbai | Chennai

International Marketing Network

Middle East | Singapore | Malaysia | Thailand | Netherlands | USA