



FLUSHING RINGS

FLUSHING RINGS

Flushing rings are used with flanged chemical seal systems for flushing or venting the space immediately in front of the diaphragm. They are simply mounted between the flanged process connection and the diaphragm seal. The two flushing ports allow washing out of particles accumulated in front of the membrane and the pressure space can be vented or drained according to requirement. The material collecting in front of the diaphragm can be flushed out through the lateral flushing boreholes. The pressure chamber can be vented by means of these rings. Various nominal widths and forms allow adaption to the respective process flange.



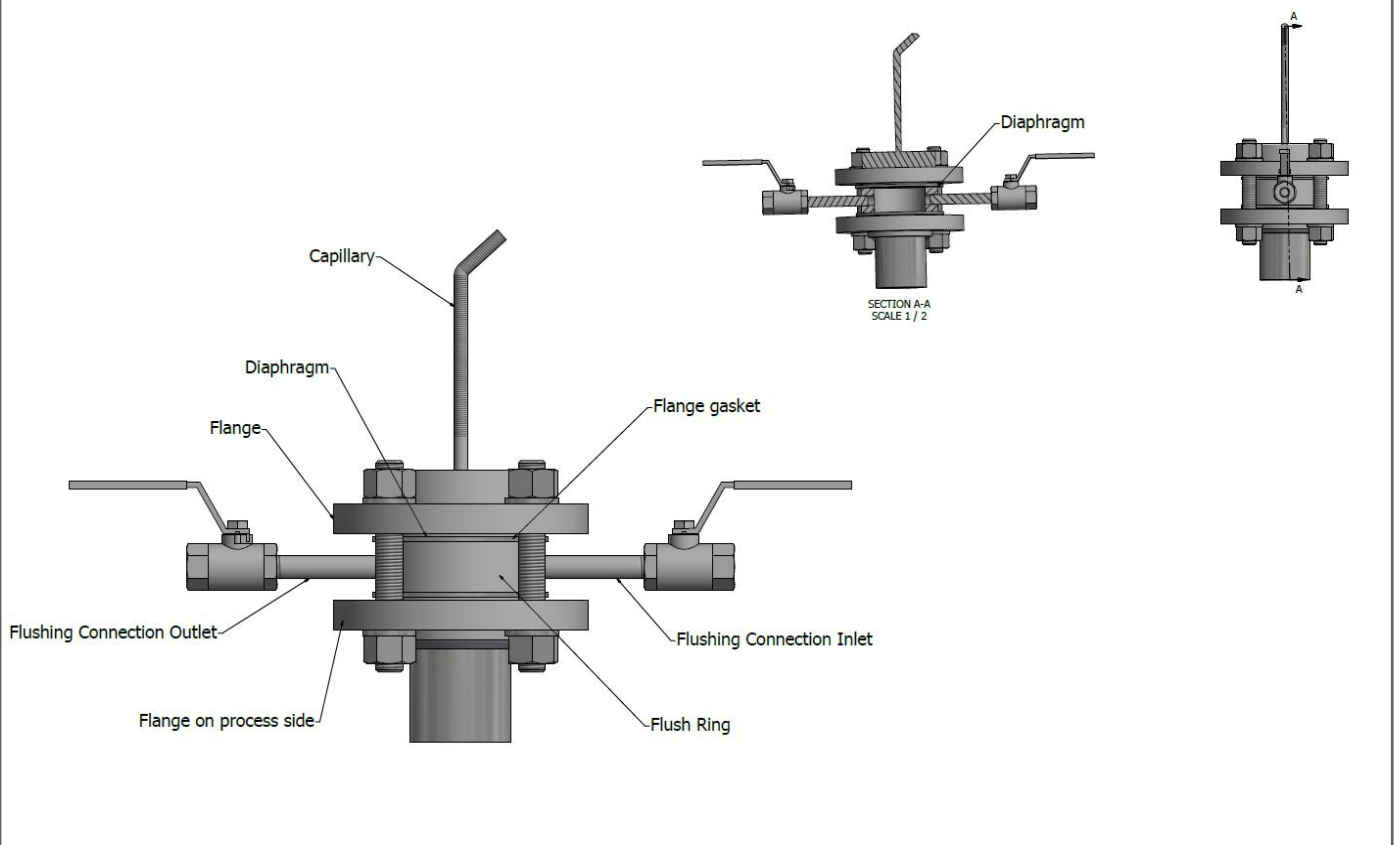
FEATURES

The flushing ports allow the washing out of particles accumulated in front of the membrane.

- The pressure chamber can be vented or drained or filled with a cleaning liquid and subsequently flushed, depending on the requirement.
- Various nominal widths and forms allow adaption to the respective process flange.

Standard flushing connection	: 1/2 NPT female / Customer Standard
Sealing face	: Acc. to EN 1092-1 Form B1 Acc. to ASME B 16.5 RF
Materials	: 316/316L/1.4401/1.4404, quadruple certified

Mounting Example:



TECHNICAL SPECIFICATIONS

STANDARD EXECUTION:

Body : SS316L

Facing : RF

Flush Connection : 1/4" NPT

OPTIONS AVAILABLE:

Flanged Process Connections : 1", 1.5", 2", 3", 4", ANSI Class 150 - Class 2500; DN 25, DN 40, DN 50, DN 80, DN 100, PN 10 - PN 100 rating

Flushing Process Connection : NPT/ BSP threaded

Flush Connection : SS316L, Monel, Hastelloy, Inconel.

BODY MATERIALS AND FACING OPTIONS:

Body Material

AISI 316(L)

Monel 400

Hastelloy C-276

Duplex

Super Duplex

Inconel 600

facing (ASME B16.5)

RF Ra 3.2-6.3 µm

RJF Ra <1.6 µm

LMF Ra 3.2-6.3 µm

SMF Ra <3.2 µm

LTF Ra <3.2 µm

STF Ra <3.2 µm

LGF Ra <3.2 µm

SGF Ra <3.2 µm

LFF Ra <3.2-6.3 µm

SFF Ra <3.2 µm

facing type (EN 1092-1)

B1 Ra 3.2-12.5 µm

B2 Ra 0.8-3.2 µm

C Ra 0.8-3.2 µm

D Ra 0.8-3.2 µm

E Ra 3.2-12.5 µm

F Ra 3.2-12.5 µm

G Ra 0.8-3.2 µm

H Ra 0.8-3.2 µm



INDIA

HEAD OFFICE AND FACTORY

SHRIDHAN Automation Pvt. Ltd.

#B-54, KSSIDC Industrial Estate, Kumbalgodu , Mysore Road
Bangalore - 560074

INDIA

Phone: +91-80-28437847/+91-80-28437848

UNIT-2

SHRIDHAN Automation Pvt. Ltd.

D13, KIADB Industrial Area, Kumbalgodu, Mysore Road
Bangalore - 560074

INDIA

Email: info@shridhan.com

Website : www.shridhan.com

MIDDLE EAST

Orbit Automation FZE

#R4-40 A, PO Box - 122828

SAIF Zone, Sharjah

INDIA

(A 100% SUBSIDIARY OF SHRIDHAN Automation, INDIA)

Contact :+97155 - 9347963 / +97155 - 1883375

Email: me@shridhan.com

Indian Marketing Network

Mangalore | New Delhi | Ahmedabad | Pune | Mumbai | Chennai

International Marketing Network

Middle East | Singapore | Malaysia | Thailand | Netherlands | USA