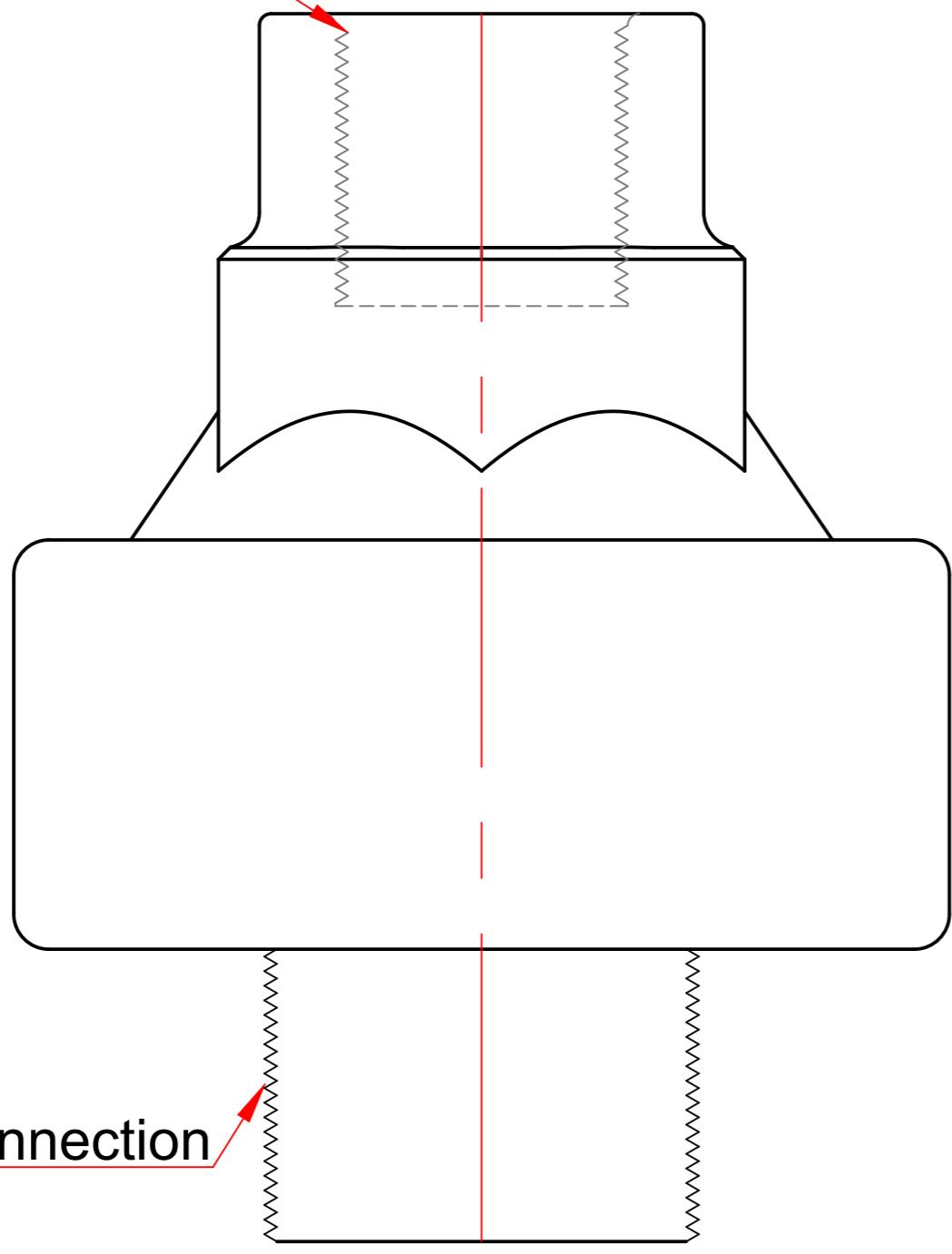


This document is the exclusive property of SHRIDHAN INDIA and contains confidential information. This document or its contents shall not be used, reproduced or disclosed in whole or in part, without prior written permission of SHRIDHAN INDIA. This document and all its copies shall be returned to SHRIDHAN INDIA on demand.

Towards Transmitter


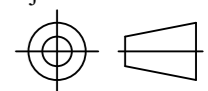


Process Connection

Specifications

Particulars	MOC
Upper Body	PPG,PVC
Lower Body	PP,PVC-U,PVDF
Diaphragm	EPDM coated with PTFE
Process Conn.	1/2" BSP(F)

Contact Factory
For more Details

Customer Name :			
End User:			
Cust Ref :	Drawing No. :	Rev No.	Projection :
SO No. :	All Dimensions in mm		 Sheet 1 of 1
Scale :NTS	Title & Model No. Plasto Pvc Seal		

Project:						
Rev	Description	Date	Drawn	Checked	Approved	