

This document is the exclusive property of SHRIDHAN INDIA and contains confidential information. This document or its contents shall not be used, reproduced or disclosed in whole or in part, without prior written permission of SHRIDHAN INDIA. This document and all its copies shall be returned to SHRIDHAN INDIA on demand.

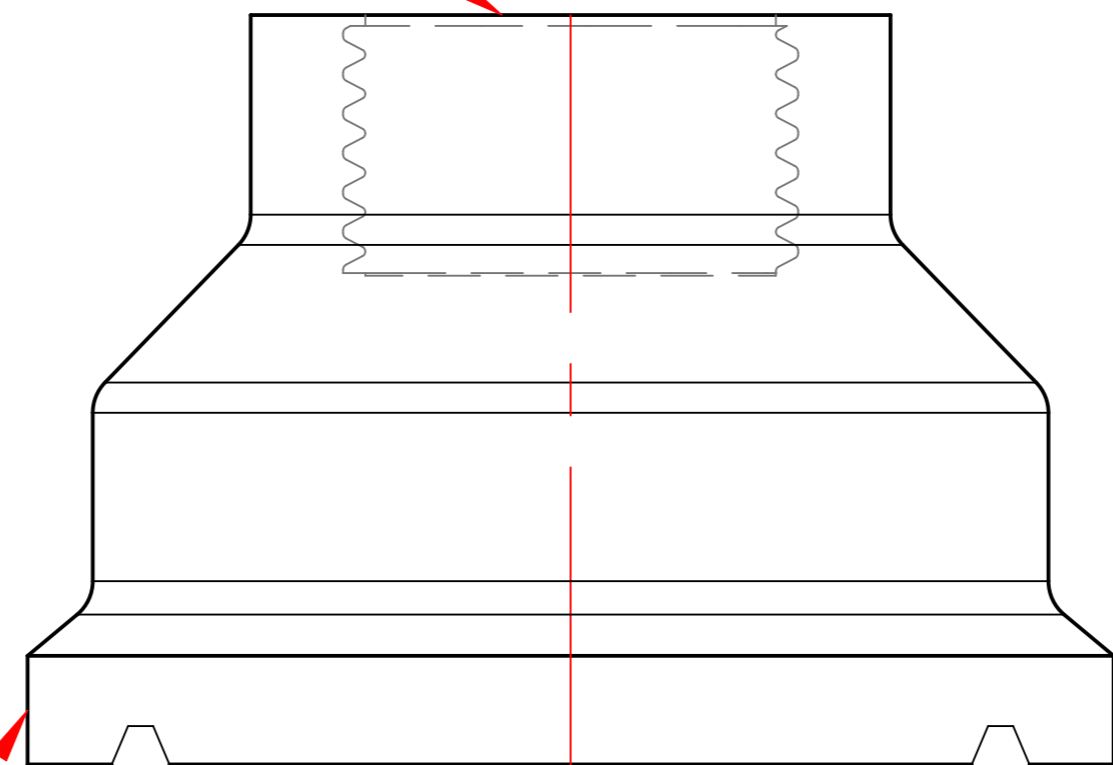
# Specifications

Particulars	MOC
Seal	AISI 316L Electro polished
Diaphragm	AISI 316L Electro polished

## Process Connection

Sl No.	Size
1	1"
2	1 1/2"
3	2"
4	2 1/2"
5	3"
6	4"

Towards Transmitter



Process Connection

Contact Factory  
For more Details

Customer Name : \_\_\_\_\_

End User: \_\_\_\_\_

Cust Ref : \_\_\_\_\_

SO No. : \_\_\_\_\_

Scale :NTS



Drawing No. :	Rev No.	Projection :
All Dimensions in mm		Sheet 1 of 1

Title & Model No.  
**Hygeia Triclapp**

Project:	Rev	Description	Date	Drawn	Checked	Approved