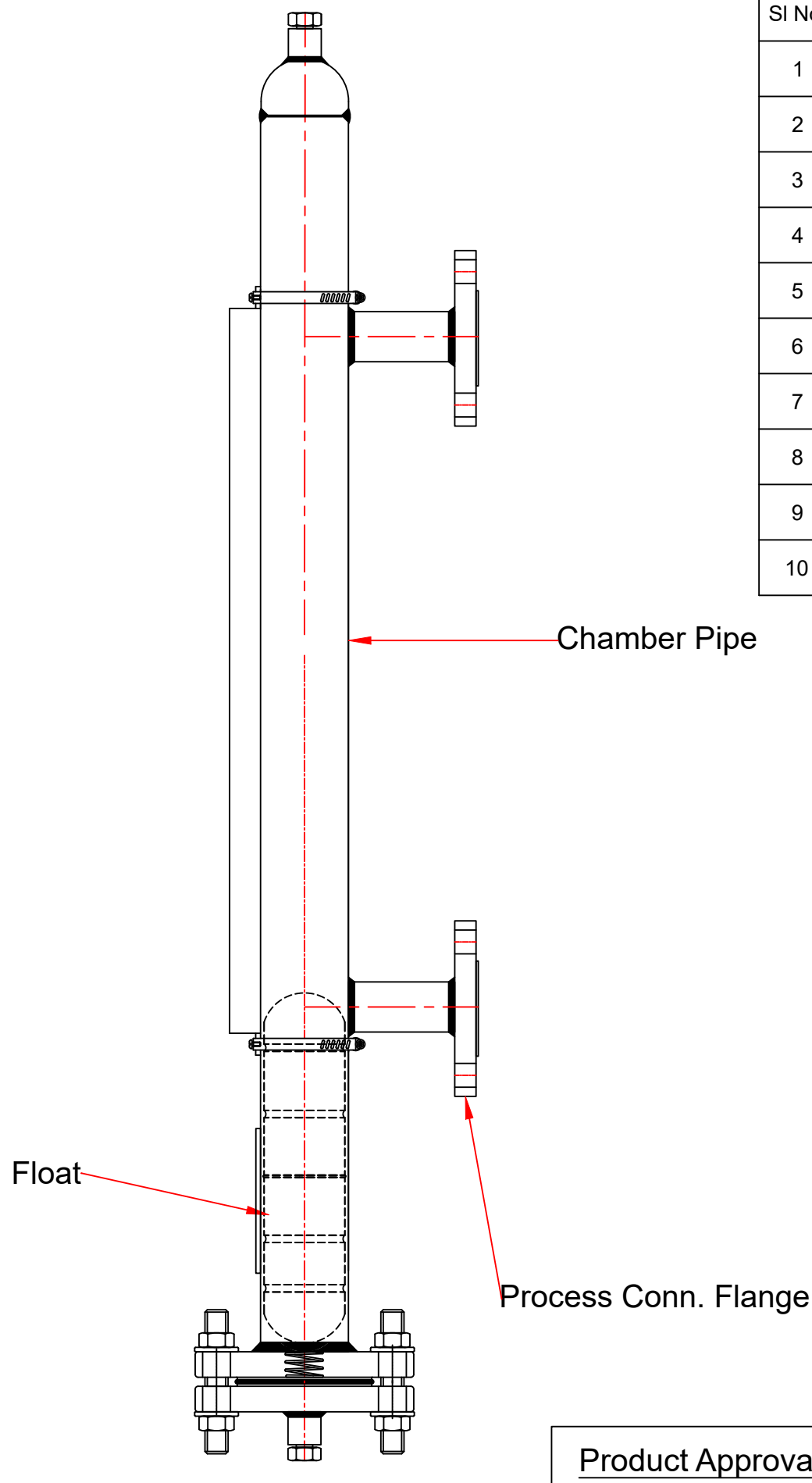
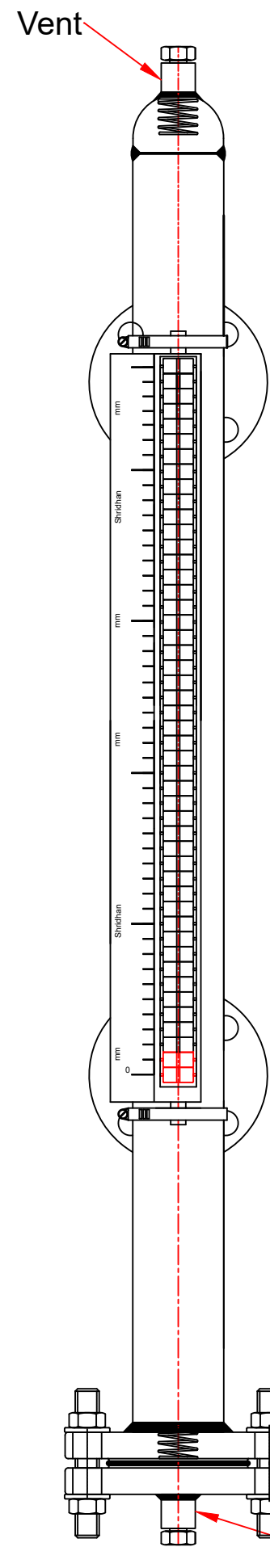


This document is the exclusive property of SHRIDHAN INDIA and contains confidential information. This document or its contents shall not be used, reproduced or disclosed in whole or in part, without prior written permission of SHRIDHAN INDIA. This document and all its copies shall be returned to SHRIDHAN INDIA on demand.



Material of Construction		Process Connection Flanged		Process Connection Threaded		
SI No.	Material Type	SI No.	Type	SI No.	Type	
1	SS 304	1	1/2" (#150 to #2500)	1	1/2" NPT	
2	SS 316	2	3/4" (#150 to #2500)	2	1/2" BSP	
3	SS 316L	3	1" (#150 to #2500)	3	3/4" NPT	
4	SS 316/316L (Dual Certified)	4	1 1/2" (#150 to #2500)	4	3/4" BSP	
5	Titanium	5	2" (#150 to #2500)	5	1" NPT	
6	Hastelloy C276	6	3" (#150 to #2500)	6	1" BSP	
7	Inconel 625	Vent/Drain Flanged		Vent/Drain Plugged		
8	Inconel 825	SI No.	Type	SI No.	Size	Type
9	PVDF / Kynar	1	1/2" (#150 to #2500)	1	1/2"	BSP/NPT Plug
10	PP	2	3/4" (#150 to #2500)	2	3/4"	BSP/NPT Plug
		3	1" (#150 to #2500)	3	1"	BSP/NPT Plug
		4	1 1/2" (#150 to #2500)	4	1 1/2"	BSP/NPT Plug
		5	2" (#150 to #2500)	5	2"	BSP/NPT Plug
Chamber Pipe			Vent/Drain Valve			
SI No.	Size	SI No.	Size	Type		
1	2" (Sch.10 to Sch.160)	1	1/2"	Threaded, SW, SW with Flange, Flanged Valve		
2	2 1/2" (Sch.10 to Sch.160)	2	3/4"	Threaded, SW, SW with Flange, Flanged Valve		
3	3" (Sch.10 to Sch.160)	3	1"	Threaded, SW, SW with Flange, Flanged Valve		
4	4" (Sch.10 to Sch.160)	4	1 1/2"	Threaded, SW, SW with Flange, Flanged Valve		
		5	2"	Threaded, SW, SW with Flange, Flanged Valve		

NOTE:
For any other variants contact factory.

Customer Name : _____

End User: _____

Cust Ref : _____

SO No. : _____

Scale : NTS



Drawing No. : _____ Rev No. : 00 Projection :

All Dimensions in mm Sheet 1 of 1

Product Approvals:
 1. ATEX Approved.
 2. PED Approved.

Project:	R0	Description	Date	Drawn	Checked	Approved
	Rev					

Title & Model No.
Magnetic Level Indicator