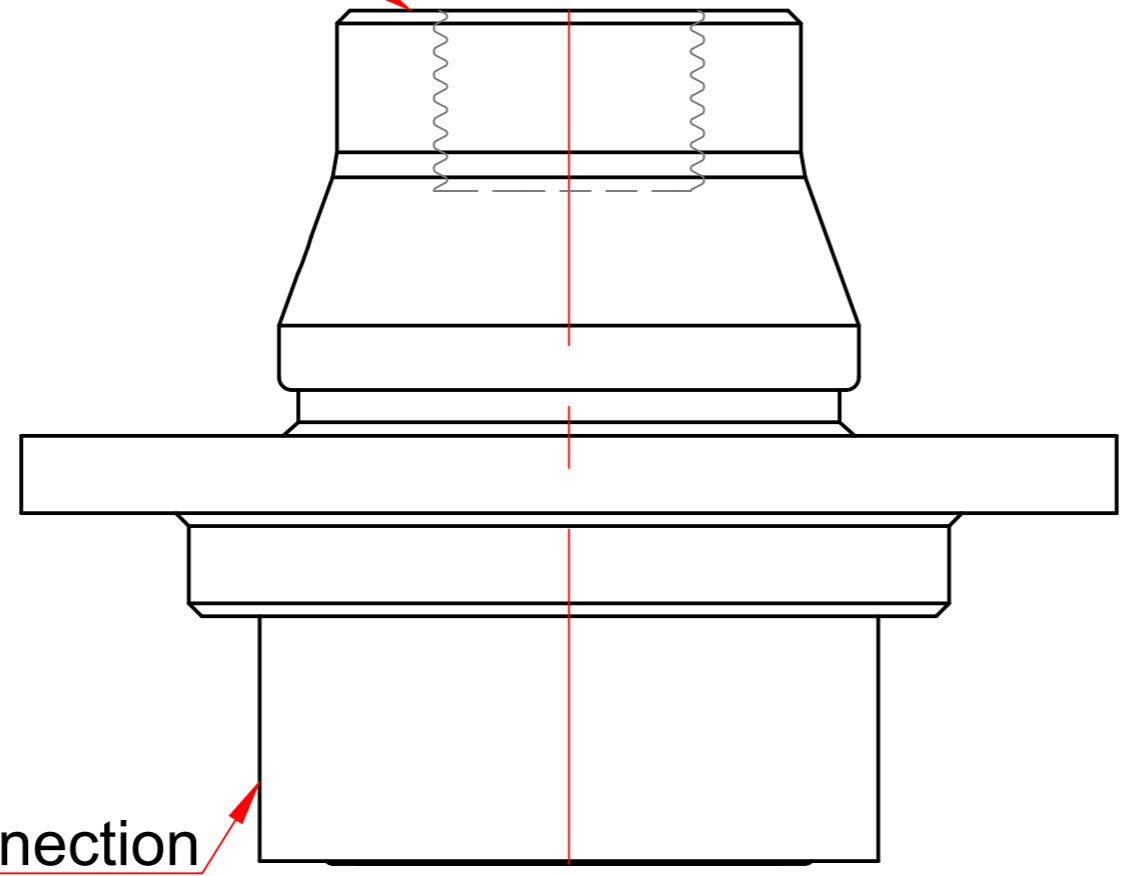


This document is the exclusive property of SHRIDHAN INDIA and contains confidential information. This document or its contents shall not be used, reproduced or disclosed in whole or in part, without prior written permission of SHRIDHAN INDIA. This document and all its copies shall be returned to SHRIDHAN INDIA on demand.

Specifications


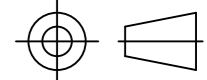
Particulars	MOC
Body	AISI 316L Electro polished
Diaphragm	AISI 316L Electro polished
Process Conn.	DN 48

Towards Transmitter



Process Connection

Contact Factory
For more Details

Customer Name :			
End User:			
Cust Ref :	Drawing No. :	Rev No.	Projection :
SO No. :	All Dimensions in mm		 Sheet 1 of 1
Scale :NTS		Title & Model No. Pulp and Paper Seal	

Project:	Rev	Description	Date	Drawn	Checked	Approved