

PULP AND PAPER INDUSTRY DIAPHRAGM SEAL PAP



External chemical seal with welded diaphragm designed to suit the DN48 Pulp and Paper Industry connection.

SPECIFICATIONS

Body and flange material: st. st. AISI 316

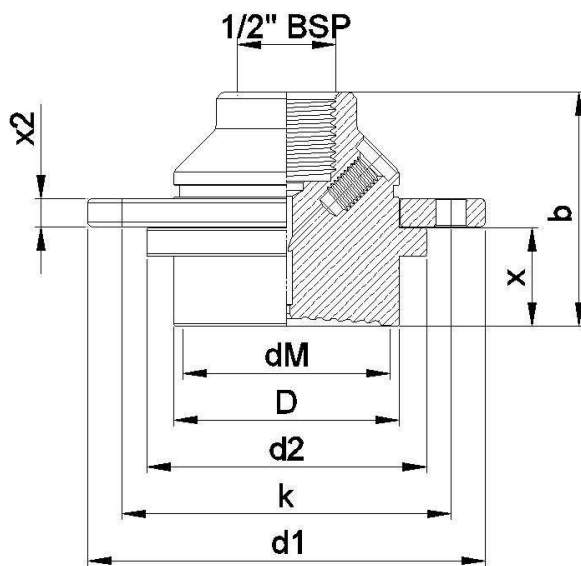
Diaphragm material: st. st. AISI 316 L

Welding: T.I.G.

Ranges: 1/40 bar

Filling: non-toxic fluid FDA approved

TYPES AND DIMENSION



DN	PN bar	Tube	b	d1	d2	dM	g	k	x	x1	x2
48	40	15	66	85	59	38	6xØ7	70	21	6	6
		6.5	57.5						12.5		

OPTIONS

Diaphragm: Tantalum.

HOW TO ORDER Please specify : model, options if any
Example : PAP