

## DIAPHRAGM SEALS FOR FOOD PROCESS, PHARMACEUTICAL AND HYGIENIC APPLICATIONS

### TRI-CLAMP

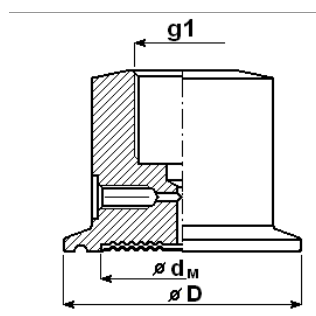


PCI's range of hygienic diaphragm seal systems are manufactured to the highest possible standard for use in all food process, pharmaceutical and chemical applications. They can be fitted to a pressure transmitter, switch or gauge.

#### SPECIFICATIONS

**Process connection:** electro polished AISI316 st. st.  
**Diaphragm:** electro polished AISI316L st. st. TIG welded  
**Seal fill:** non toxic oil for food service FDA approved

#### CONNECTION TYPES



**TRI-CLAMP – Standard ISO 2852**  
Max pressure dependant on size and clamp type used.

Type / DN	D	d <sub>M</sub>	f	g1	Weight / kg
3/4"	25	17	40	1/4" BSP	0.2
1"	50.5	23	37	1/2" BSP	0.3
1 1/2"	50.5	34	37	1/2" BSP	0.3
2"	64	46	45	1/2" BSP	0.5
2 1/2"	77.5	58	45	1/2" BSP	0.6
3"	91	69	45	1/2" BSP	0.9
4"	119	95	45	1/2" BSP	1.5

**HOW TO ORDER** Please specify : Model, size  
**Example:** TRI-CLAMP, 2"